

TECHNICAL DATAS

800B-C

MODEL :

Brick version : 800B
Refractory concrete ovenarch : 800C

MATERIALS :

Refractory brick
Refractory concrete
Reinforced with metal fibres

PARTS :

The hearthstone : 2 Parts
The oven arch : 2 Parts
The arch

CARACTERISTICS :

Cooking chamber : 0.5 m²
Weight : 295 kg

POWER USED :

Example with Beech (20 % humidity)

Pre-firing : 8.25 kg Wood/H(0.02 stere) = 33 kW/Hour

Cooking with the door opened : 2,75 kg Wood/H (0.007 stere/h) = 11 kW/Hour

Power going through the sides with the advised insulation : 0.6 KW/Hour

Radiation power (through the door) : 1.9 KW/Hour

Fresh air consumption : 180 m³/Hour at 20 °C

Minimal smoke pipe : Height 3 m- Part 190 cm²-Diameter 160 mm

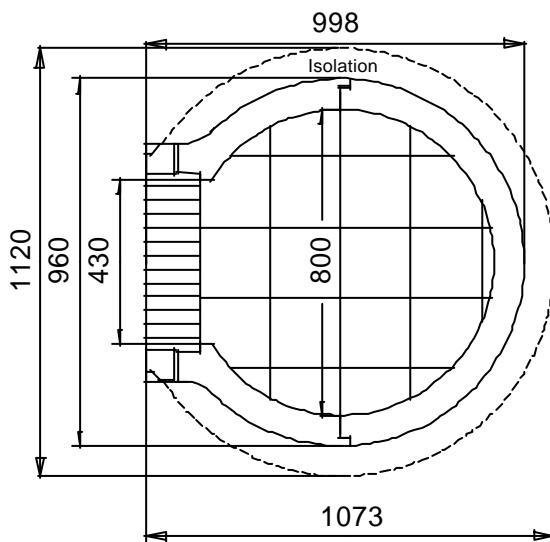
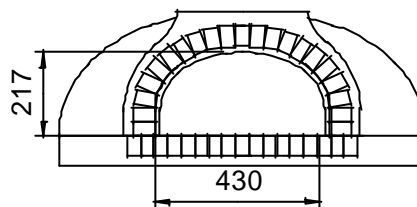
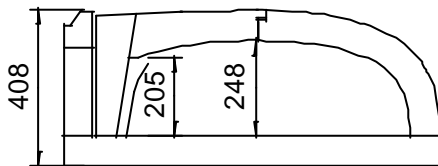
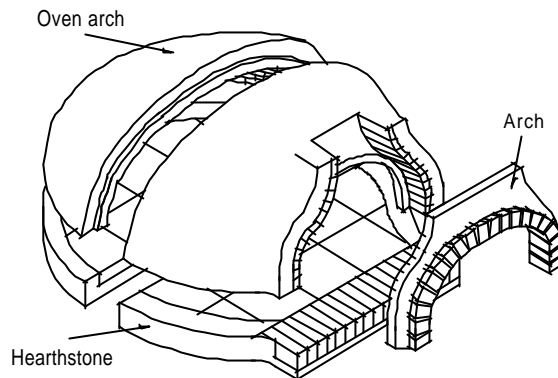
Flue connector in conformity with standard LN1856-2

SMOKE TEMPERATURE :

for oven stoves : 175°C

Maximum temperature for the use of the oven :

500 °C



ADAPTABLE EQUIPMENT

Insulation door AC1R

External door AC6

Asher AC2

Flue connector AC101 or AC101SC

Vault thermometer AC20

Oven cover AC103